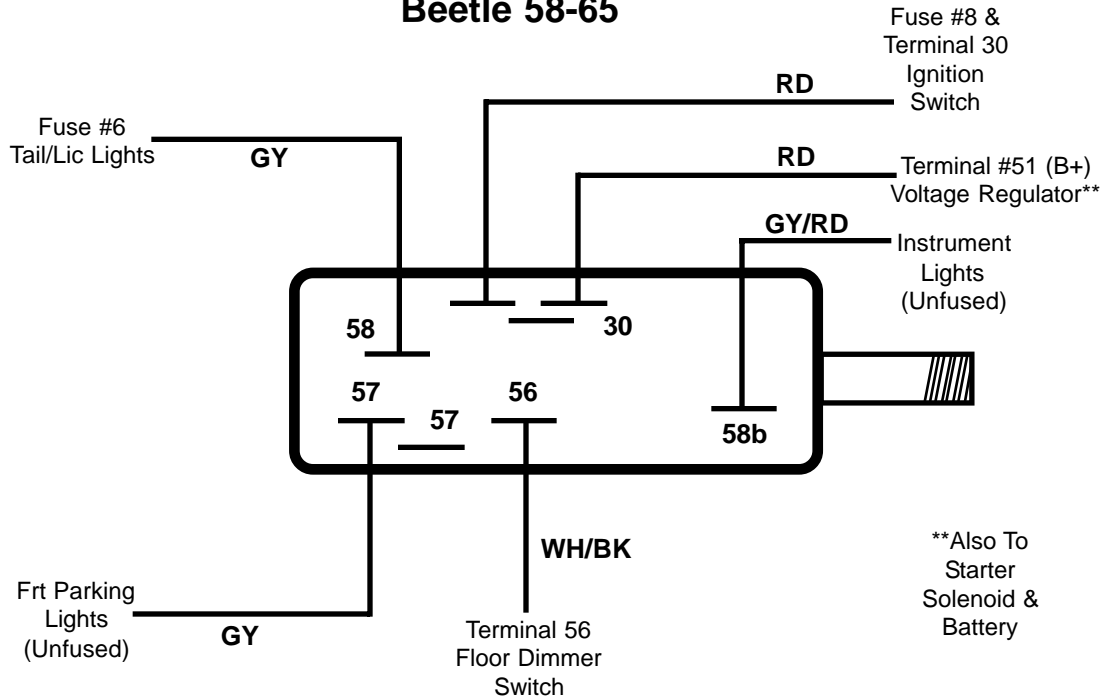
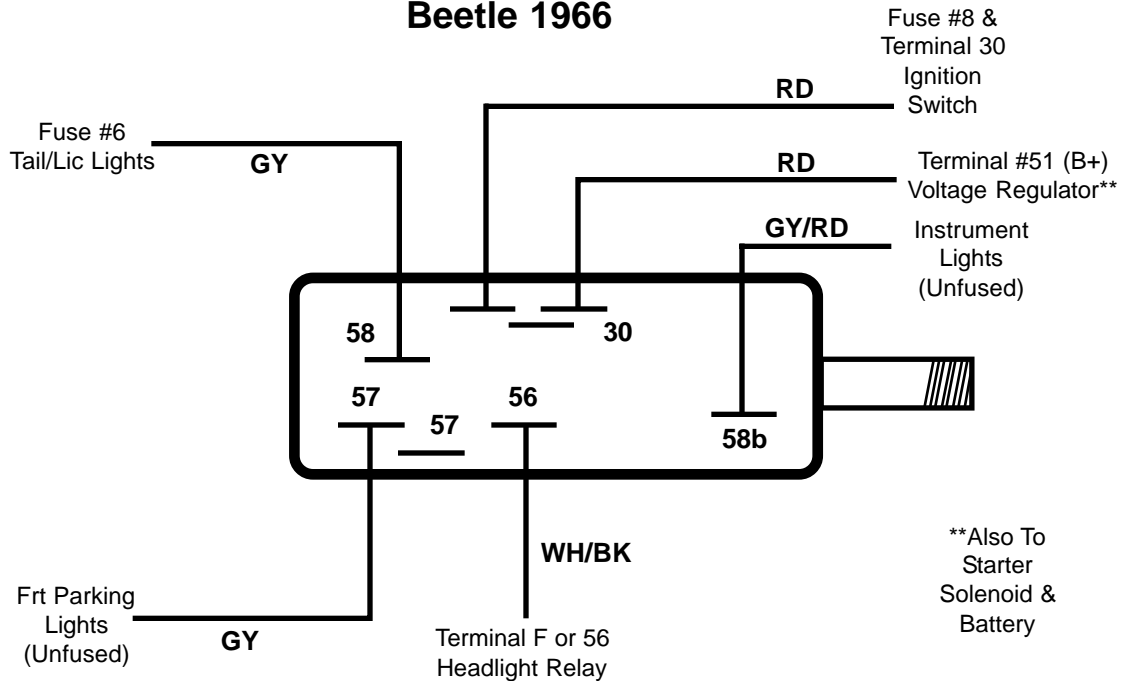




Headlight Switch Wiring Beetle 58-65

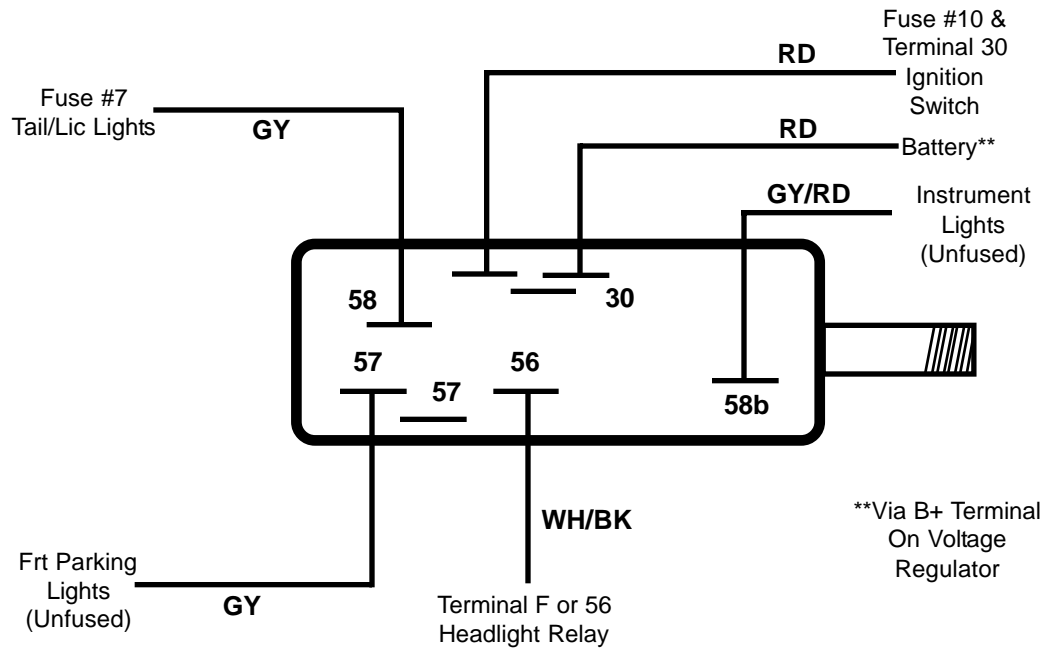


Headlight Switch Wiring Beetle 1966

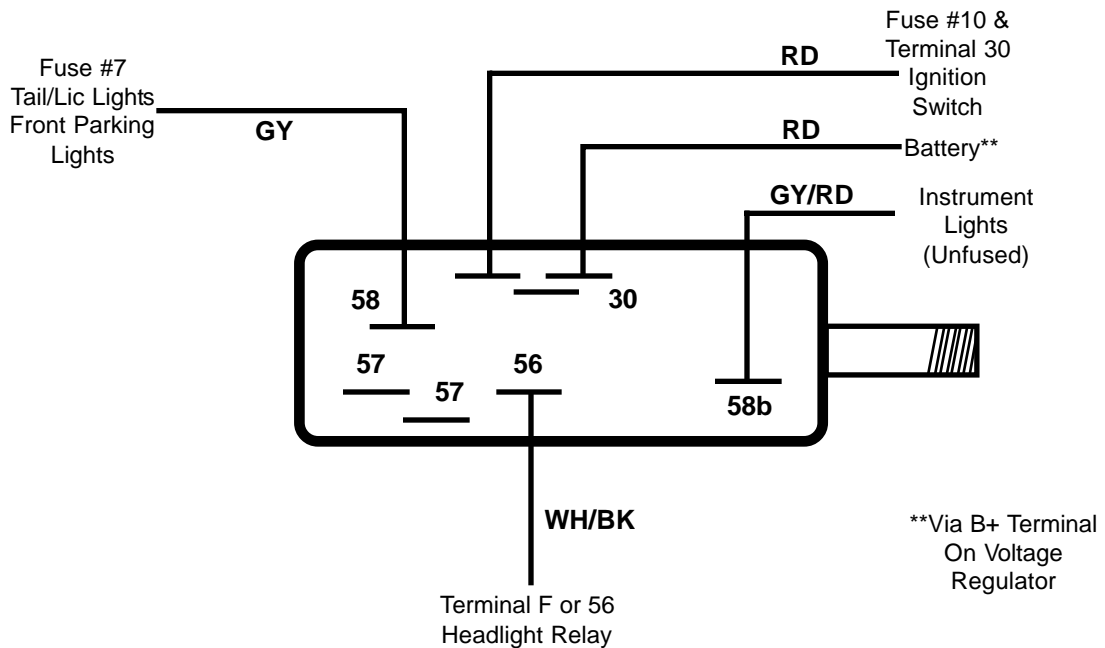




Headlight Switch Wiring Beetle 1967

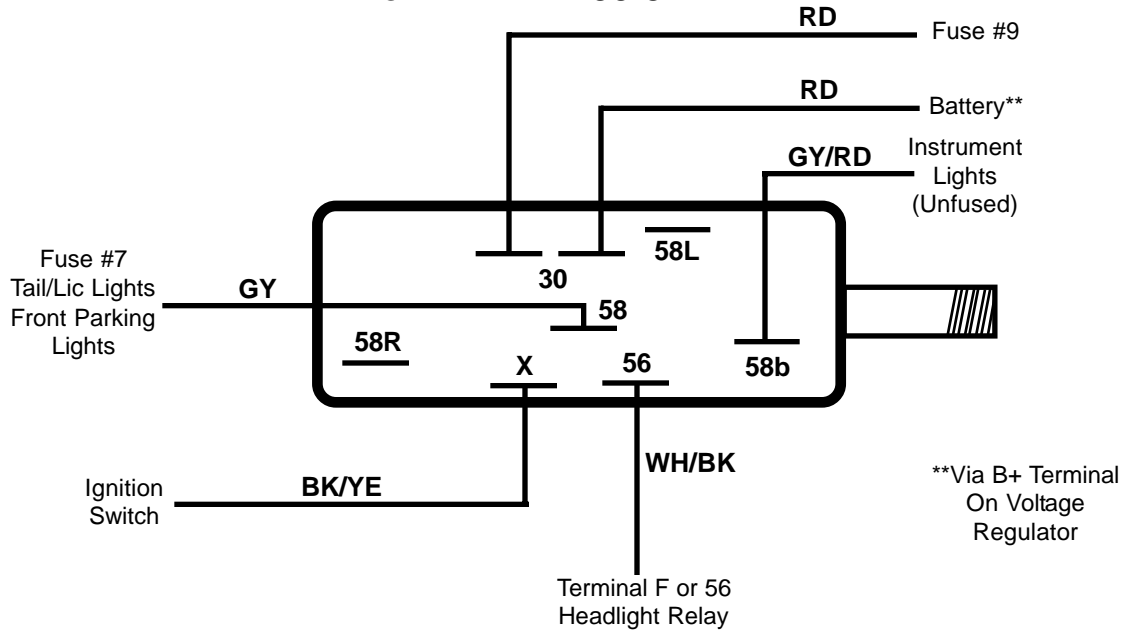


Headlight Switch Wiring Beetle 68-70

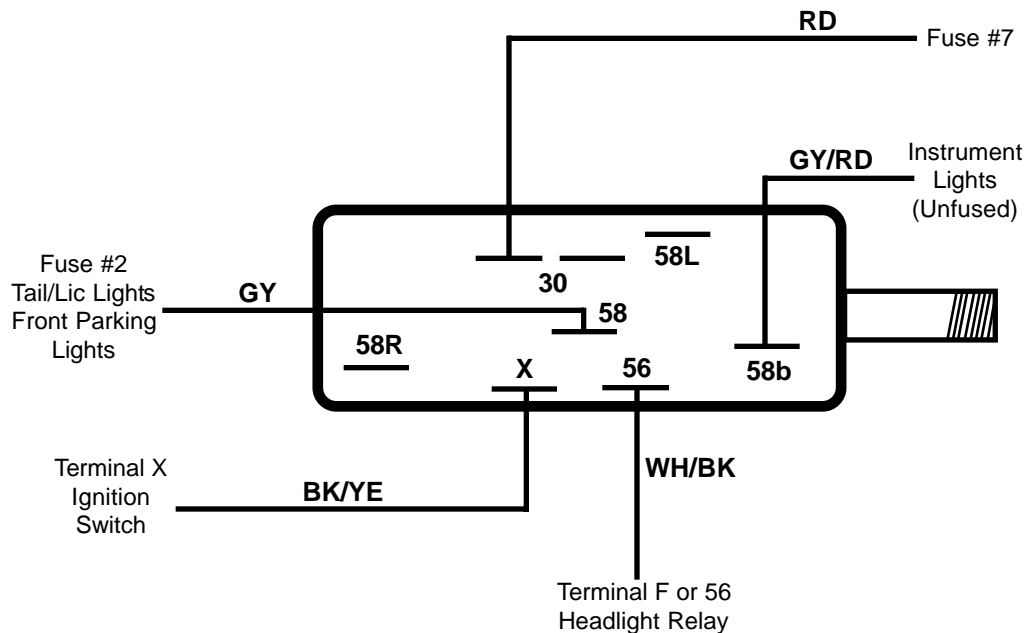




Headlight Switch Wiring Std Beetle Sedan 1971 To Vin 111 2799 842

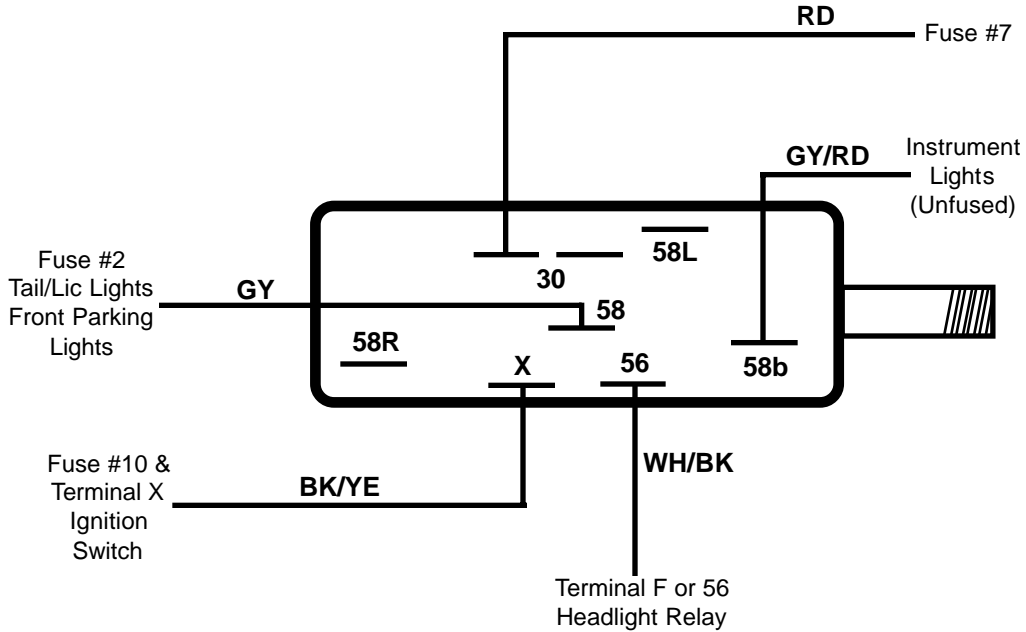


Headlight Switch Wiring Std Beetle Sedan 1971 From Vin 111 2799 843 Super Beetle & Convertible 1971

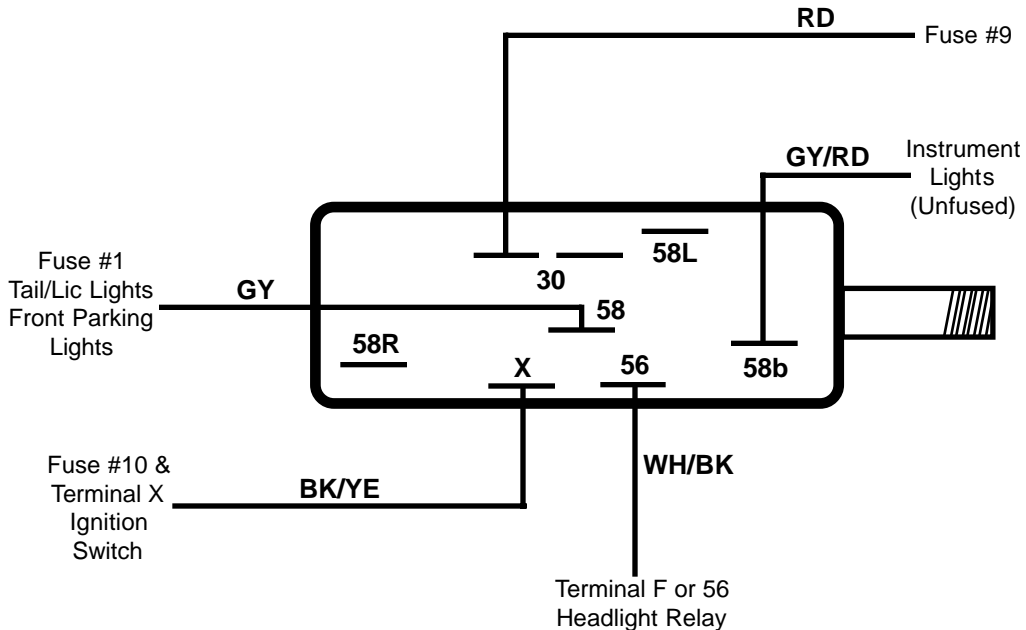




Headlight Switch Wiring Std Beetle Sedan 1972 Super Beetle & Convertible 1972

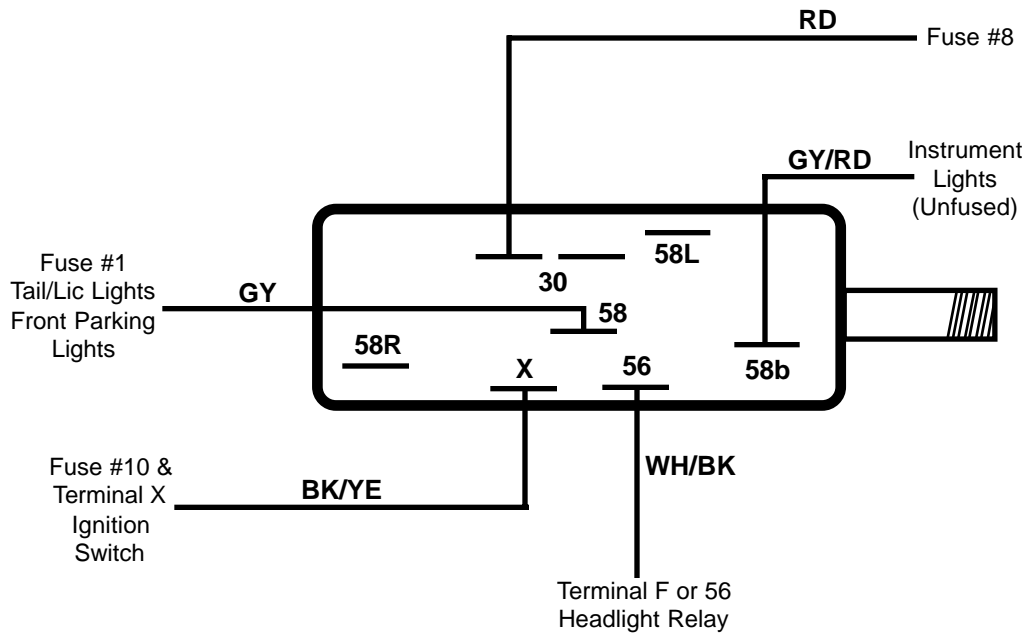


Headlight Switch Wiring Std Beetle Sedan 73-74





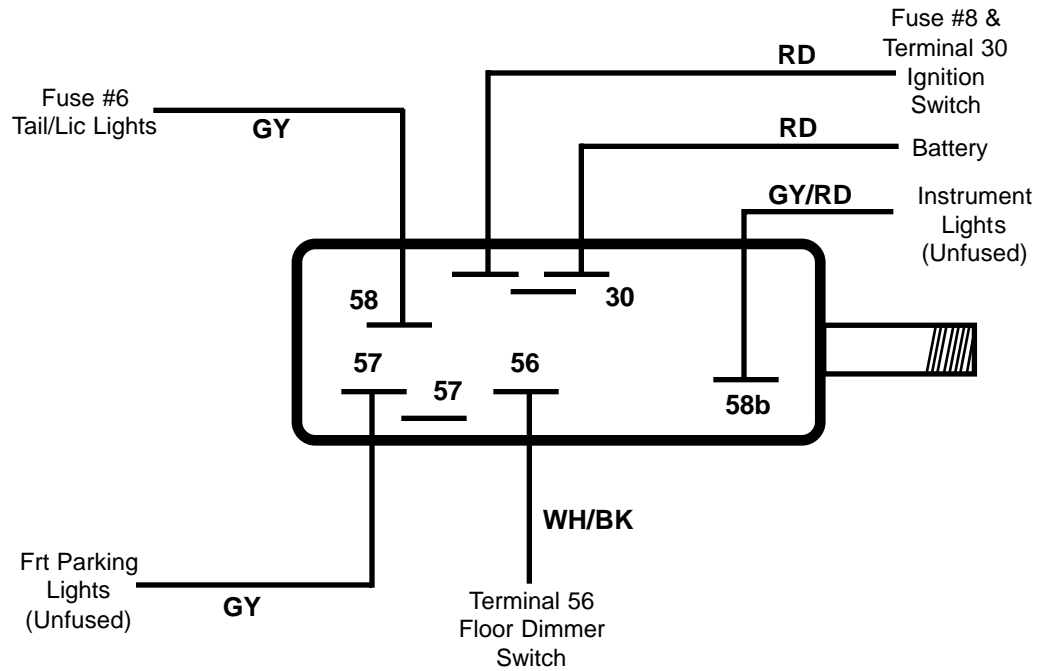
Headlight Switch Wiring Std Beetle Sedan 75-77



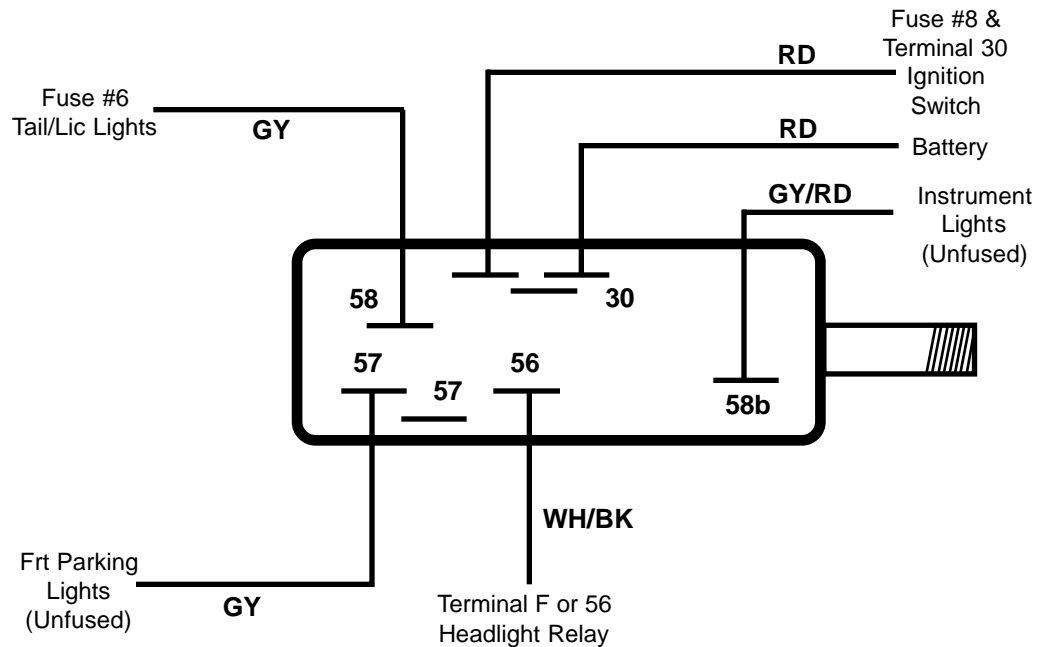
This Half Page Intentionally Left Blank



Headlight Switch Wiring Karmann Ghia 60-65

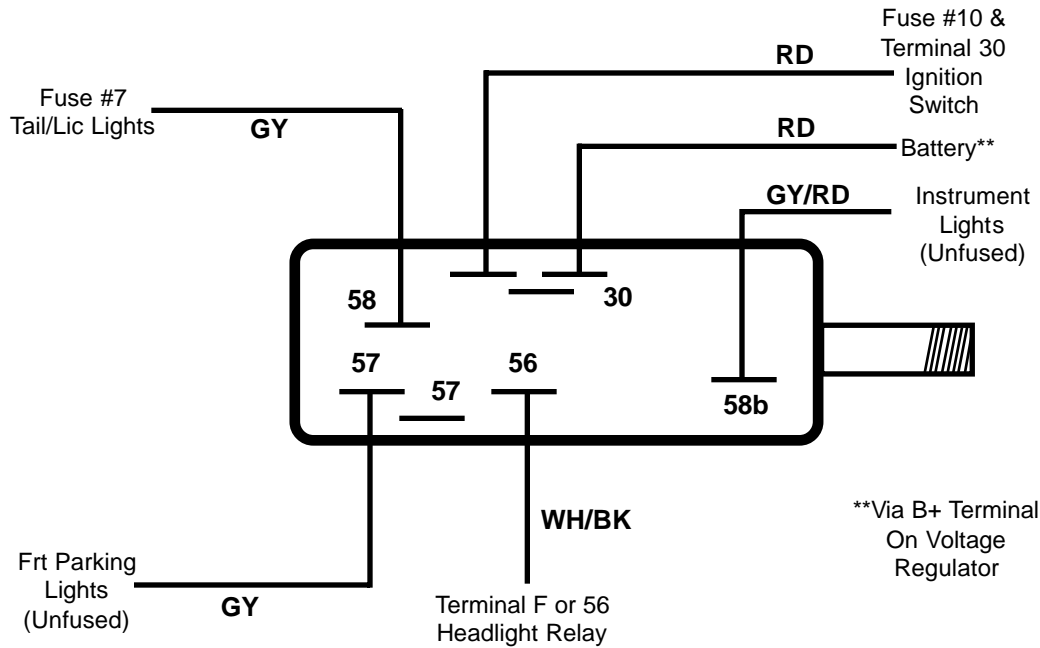


Headlight Switch Wiring Karmann Ghia 1966

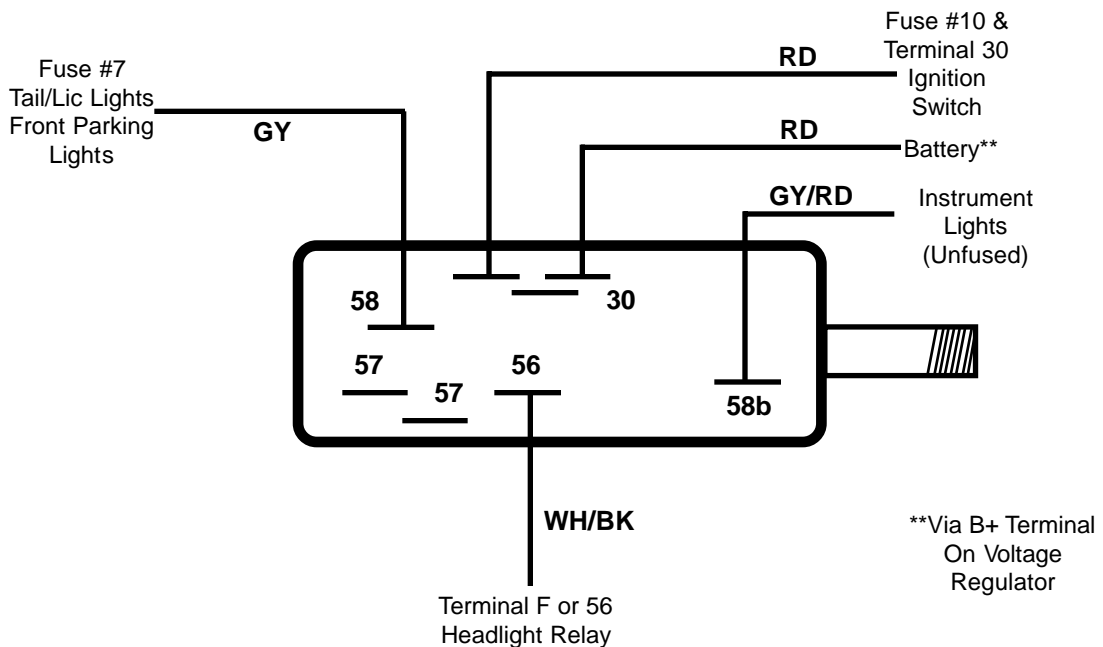




Headlight Switch Wiring Karmann Ghia 1967

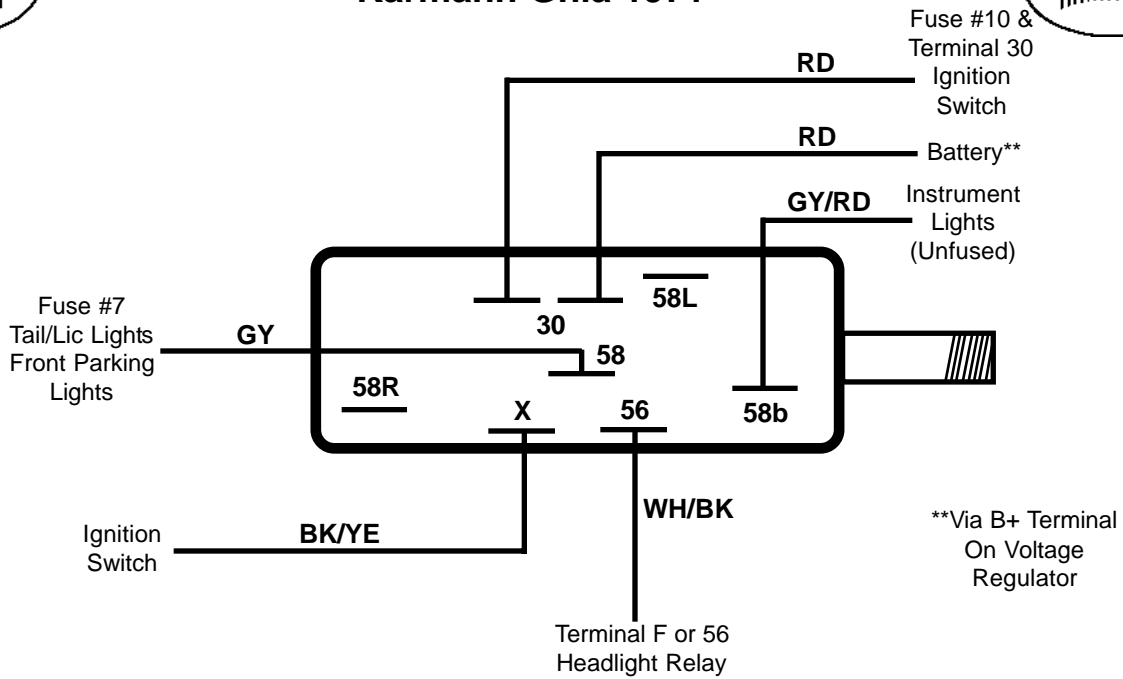


Headlight Switch Wiring Karmann Ghia 68-70

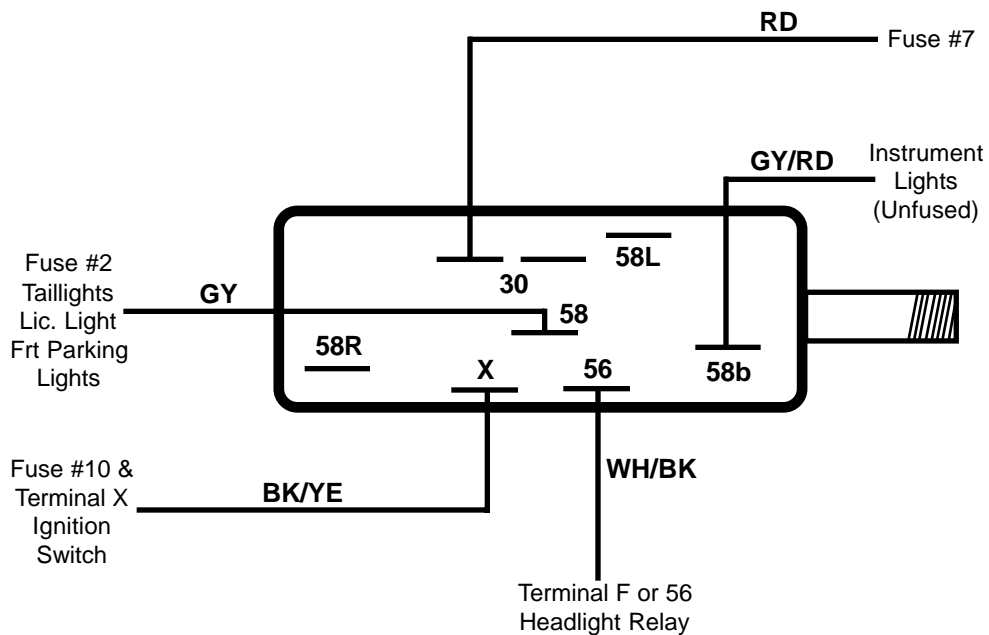




Headlight Switch Wiring Karmann Ghia 1971

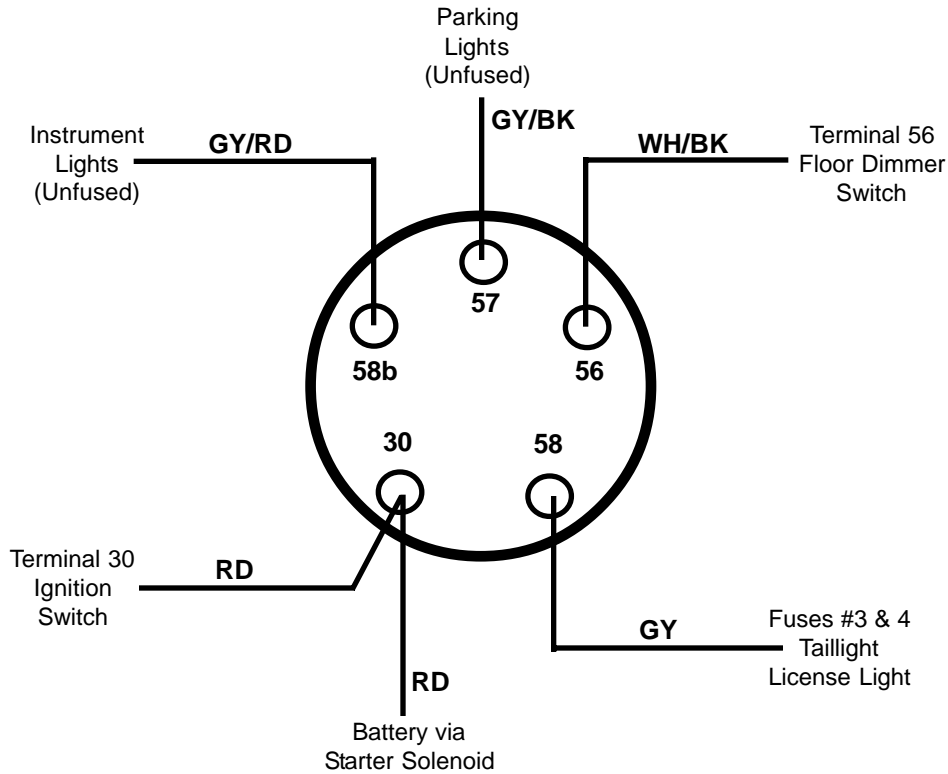


Headlight Switch Wiring Karmann Ghia 72-74

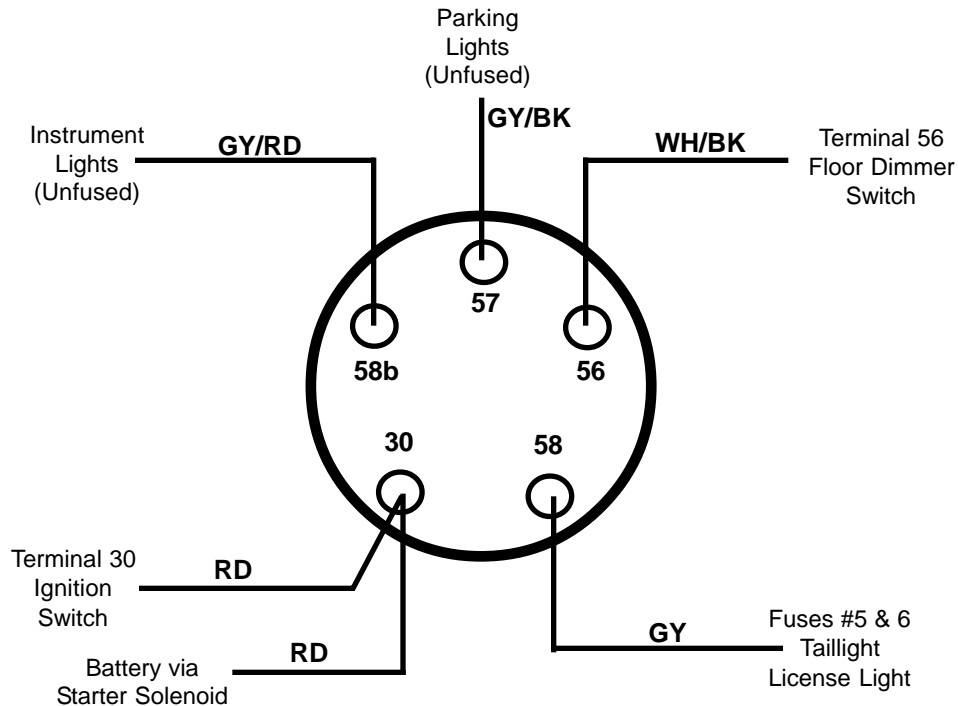




Headlight Switch Wiring Type 2 56-60 w/6 Pole Fusebox



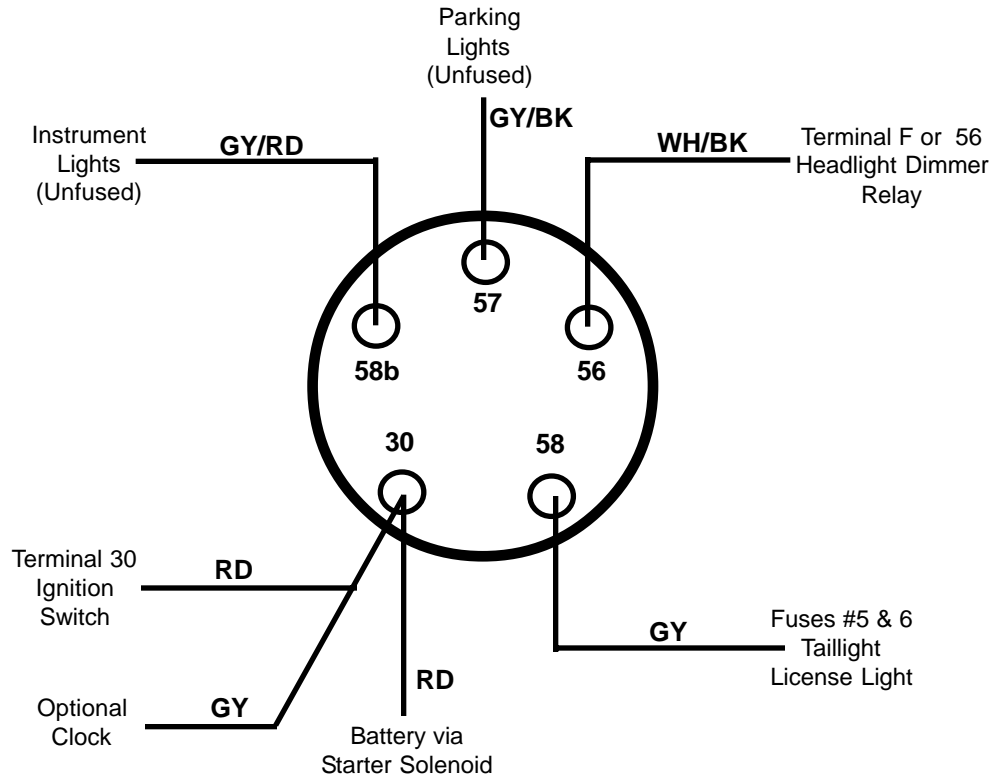
Headlight Switch Wiring Type 2 61-65 w/8 Pole Fusebox



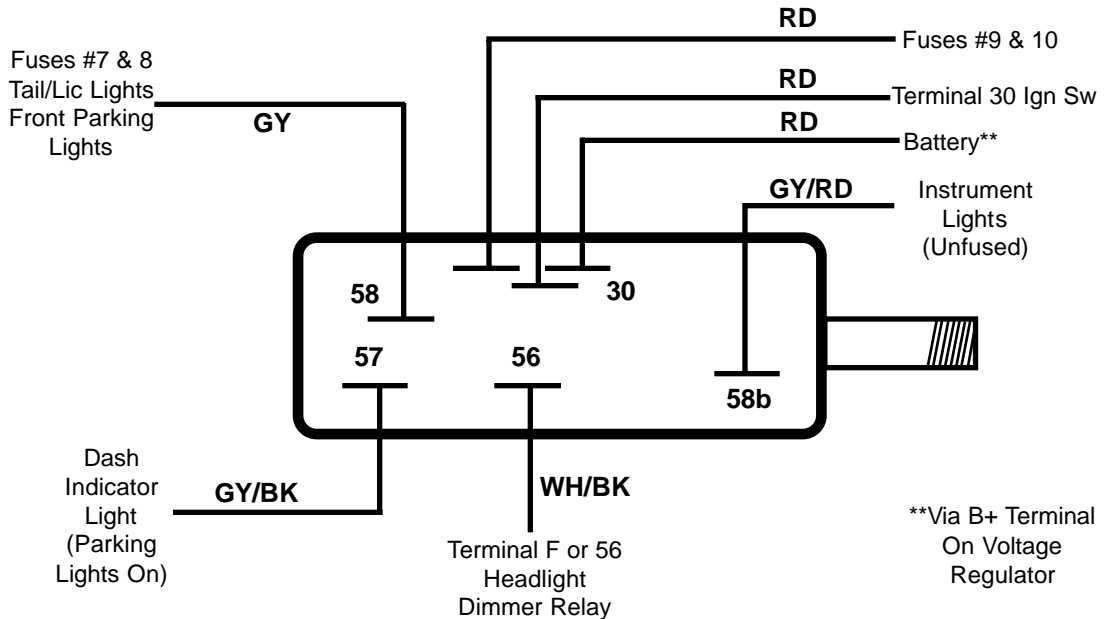
Contents of this PDF are Copyright (c) 2005 Jim Thompson & The Old Volks Home. The Old Volks Home Logo is a trademark of The Old Volks Home, and may not be reproduced or used without the expressed permission of The Old Volks Home. Volkswagen is a registered trademark in the United States and other countries. The Old Volks Home is not affiliated with, nor connected in any fashion with Volkswagen Of America, Volkswagenwerk AG, Germany, nor any of its established affiliates, dealers or subsidiaries. The use of "Volkswagen", the VW Logo and its models in this PDF is for purely descriptive purposes and the items listed herein are not Genuine Volkswagen products unless otherwise noted.



Headlight Switch Wiring Type 2 66-67

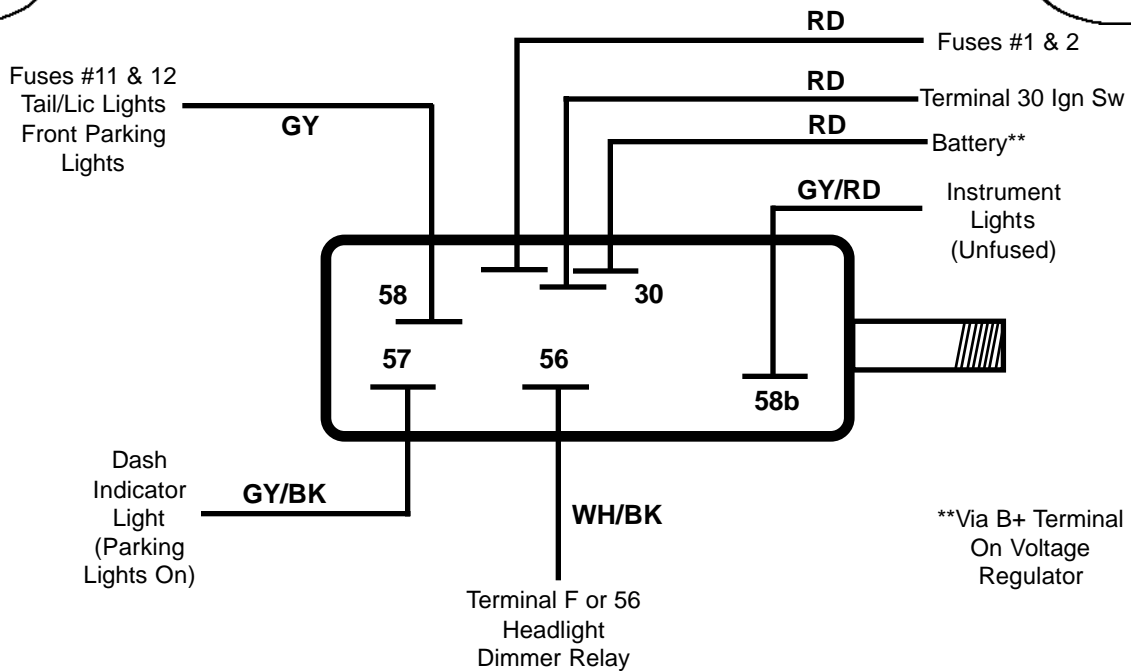


Headlight Switch Wiring Type 2 68-69

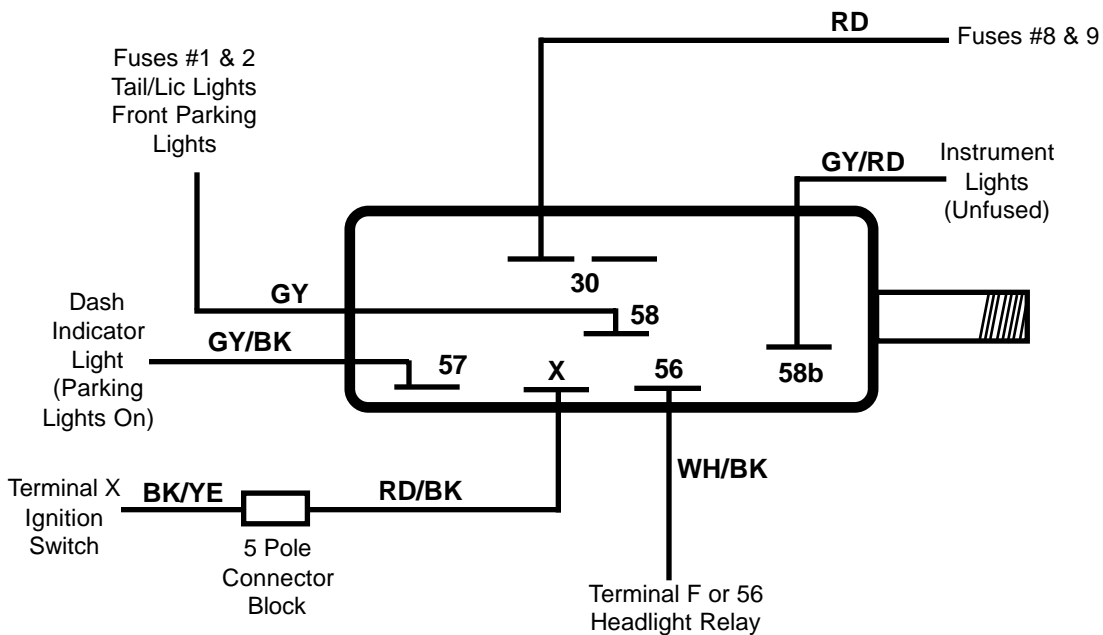




Headlight Switch Wiring Type 2 1970

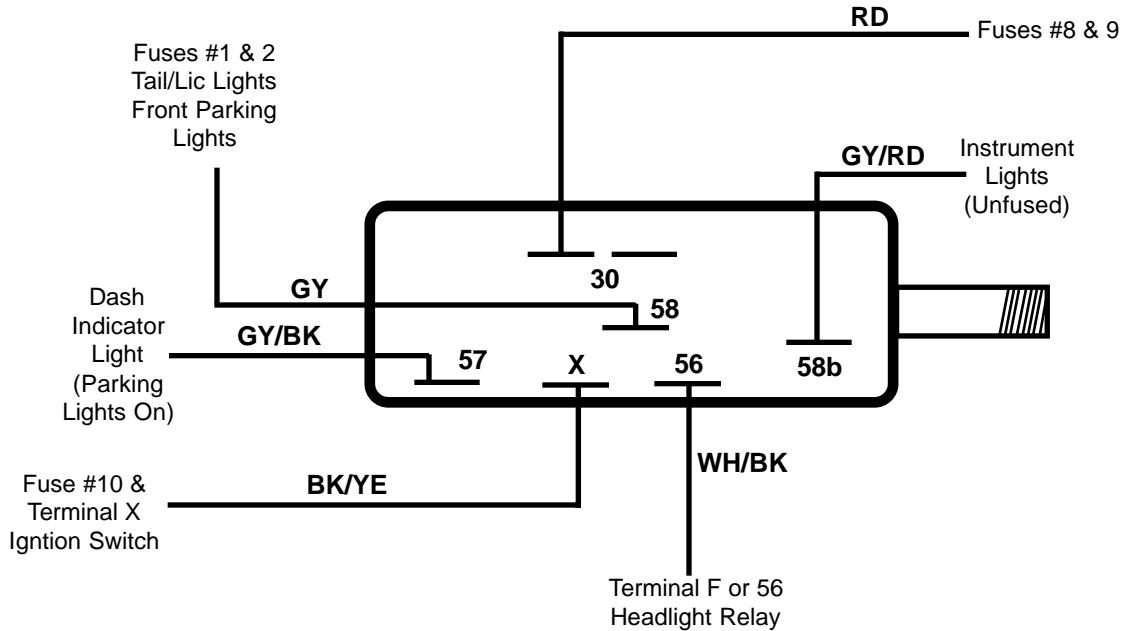


Headlight Switch Wiring Type 2 1971

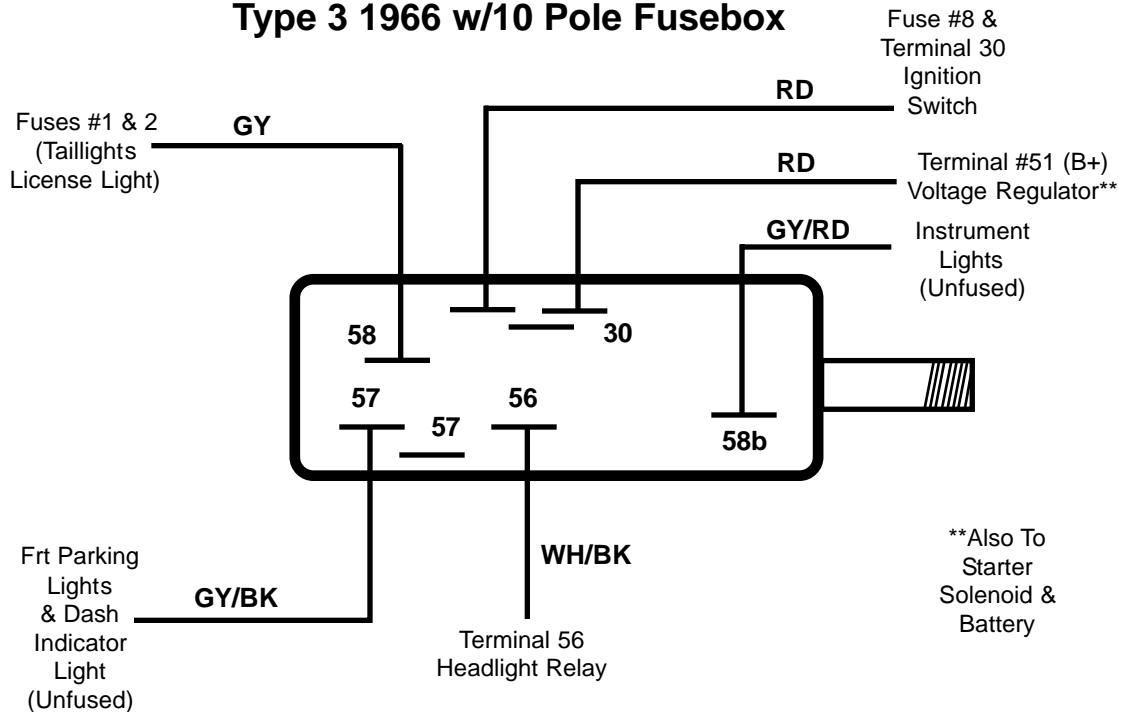




Headlight Switch Wiring Type 2 72-79

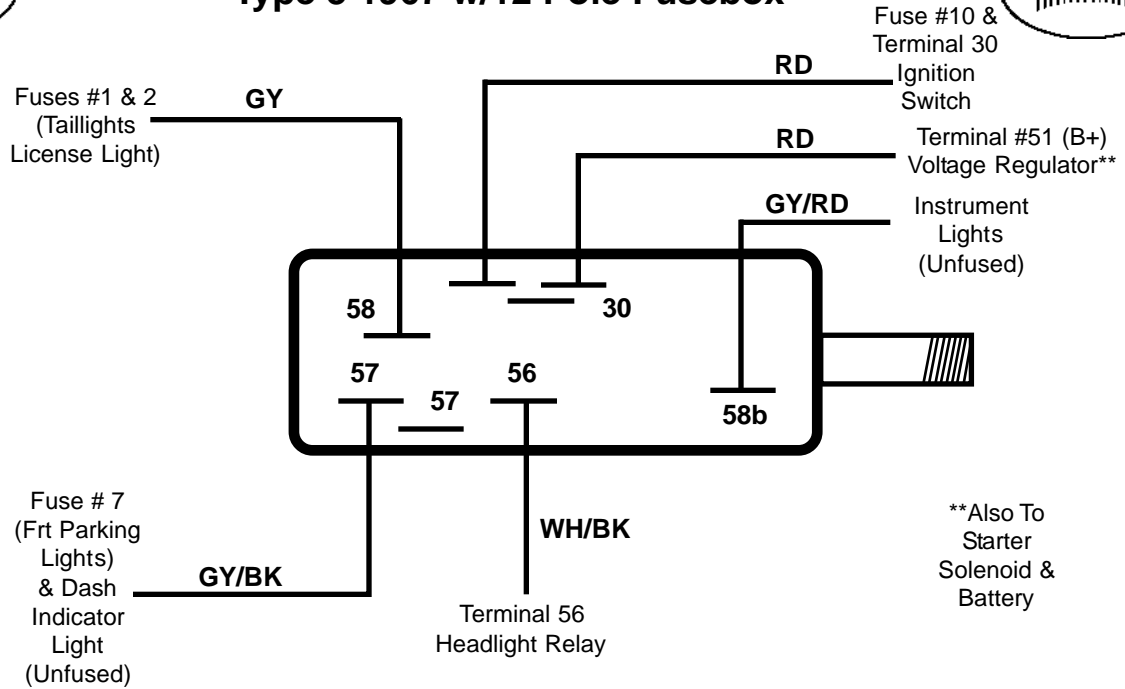


Headlight Switch Wiring Type 3 1966 w/10 Pole Fusebox

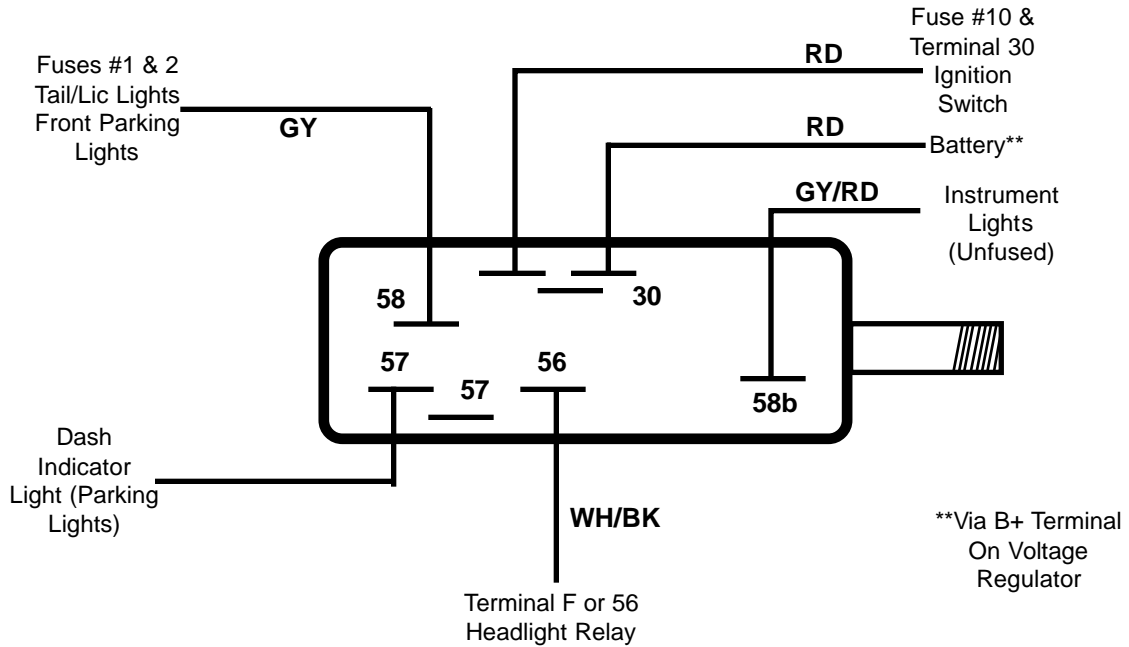




Headlight Switch Wiring Type 3 1967 w/12 Pole Fusebox

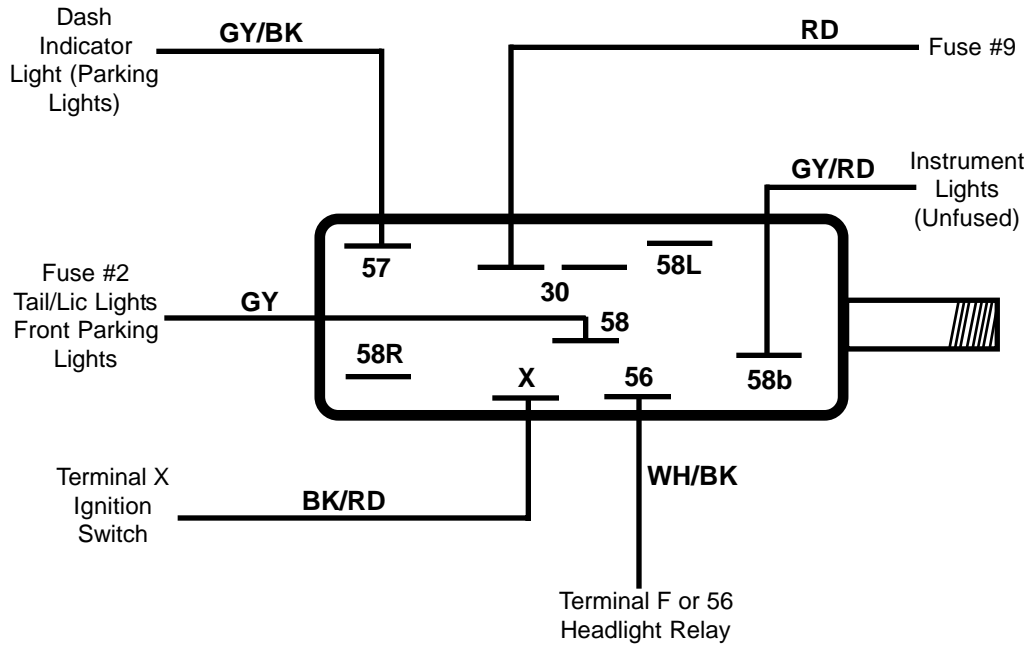


Headlight Switch Wiring Type 3 68-70





Headlight Switch Wiring Type 3 1971



Headlight Switch Wiring Type 3 72-73

